



ORDERING EXAMPLE

2 **G** **1** **B** **U** **R**

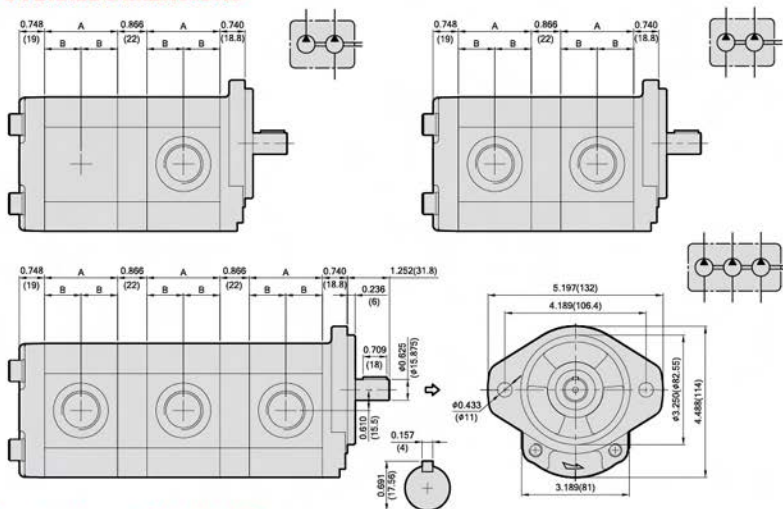
SERIES TYPE MOUNTING FLANGE DRIVE SHAFT INLET/OUTLET CODE PORT DISPLACEMENT R: CW L: CCW

D: Double Pumps
T: Multiple Pumps

A: Common Inlet (Double Pump only)
B: Separate Inlet

If you need double pumps with front pump displ. 0.98 c.i.r \ rear pump 0.58 c.i.r and rotation is cw \ the model number is : **2DG1BU1609R**

OVERALL DIMENSIONS



Any requirement for mounting flange / drive shaft / in & out ports, please refer to 2G series specifications

CW/R: NON ARROW CCW/L: LOOKING ON DRIVE SHAFT
DIRECTION OF ROTATION : LOOKING ON DRIVE SHAFT

MODEL	05	06	07	08	09	11	14	16	18	20	22
c.i.r	0.30	0.38	0.43	0.52	0.58	0.69	0.85	0.98	1.10	1.20	1.31
cm ³ /r	5.0	6.2	7.0	8.4	9.5	11.3	14.0	16.0	18.0	19.5	21.5
A	1.890(48)	1.949(49.5)	2.008(51)	2.106(53.5)	2.165(55)	2.283(58)	2.441(62)	2.559(65)	2.677(68)	2.835(72)	2.874(73)
B	0.945(24)	0.976(24.8)	1.004(25.5)	1.055(26.8)	1.083(27.5)	1.142(29)	1.220(31)	1.280(32.5)	1.339(34)	1.417(36)	1.437(36.5)